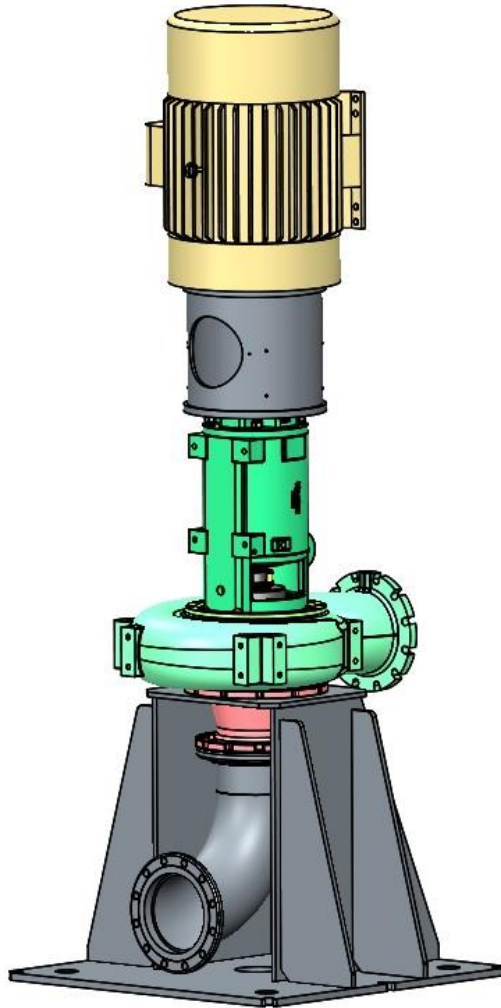




PEDESTAL SCREW-CENTRIFUGAL PUMPS INSTALLATION, OPERATION & MAINTENANCE MANUAL



VAUGHAN CO., INC.

364 Monte Elma Road, Montesano, WA 98563
Phone: 1-360-249-4042 / Fax: 1-360-249-6155
Toll Free Phone (US only): 1-888-249-CHOP (2467)
Company E-mail: info@chopperpumps.com
Web Site: www.chopperpumps.com



TABLE OF CONTENTS

INSTALLATION, OPERATION, & MAINTENANCE INSTRUCTIONS

- IMPORTANT SAFETY INFORMATION 1
- DESCRIPTION OF VAUGHAN PEDESTAL TRITON PUMP 3
 - A. Description of Major Components
 - B. Proper Applications for Vaughan Triton Screw-Centrifugal Pumps
 - C. Use of Screw-Centrifugal Pumps that May Cause Trouble
 - D. Expected benefits of Vaughan Triton Pumps
- INSTALLATION INSTRUCTIONS..... 6
 - A. Receipt Inspection
 - B. Storage Considerations
 - C. Pump Mounting
 - D. Piping
 - E. Seal Flushing
 - F. Motors and Controls
 - G. Bearings
- STARTUP INSTRUCTIONS 9
- NORMAL OPERATION OF PUMP 12
 - A. Noise
 - B. Vibration
- SHUTDOWN INSTRUCTIONS 12
 - A. Manual Shutdown
 - B. Automatic Shutdown
 - C. Emergency Shutdown
- MAINTENANCE 13
 - A. Routine Maintenance
 - B. Corrective Maintenance
- TROUBLESHOOTING 15
- WARRANTY 17

SECTION 1: IMPORTANT SAFETY INFORMATION

IMPORTANT INFORMATION FOR INSTALLERS OF THIS EQUIPMENT!

This equipment is intended for installation by technically qualified personnel. Failure to install it in compliance with national and local electrical codes, building codes and within Vaughan Co. recommendations may result in electrical shock, personal injury or death, fire hazard, unsatisfactory performance, and equipment failure. If further assistance is required contact your local representative or Vaughan Co. *Keep this manual in a safe location for future reference.*

DANGER

Indicates a hazard, which, if not avoided, will result in death or serious injury.

WARNING

Indicates a hazard, which, if not avoided, could result in death or serious injury.

CAUTION

Indicates a hazard, which, if not avoided, may result in minor or moderate injury or damage to the equipment.

NOTICE

Indicates special operation or maintenance information.

- Isolate the pump hydraulically and electrically before servicing or inspecting pump. Lock out both power source and isolation valves.
- This pump may handle dangerous or contaminated fluids. There are sharp corners, edges and pinch areas which can cause serious injury. Be careful; wear protective gloves whenever possible. If you cut yourself, seek medical help immediately to avoid serious infection.
- This pump may start automatically if wired to float switches or other equipment. Before inspecting or making adjustments disconnect electrical power and lock out circuit breakers to pump motor and associated equipment. Duplex pumps with alternating relays must both be locked out; otherwise the pump you are working on may not be isolated and could start as “the alternate”. Visually confirm that the pump has come to a complete stop before proceeding.
- Motors may be equipped with built-in thermal overloads to shut off the motors in the event the temperature gets too high (as a result of low voltage, poor ventilation, overloaded lines, etc.) These motors can restart automatically as the motor cools down. **DO NOT** work on the pump or motor without first disconnecting and locking out the power supply.
- Enter tanks or pits with extreme caution and only after an instrument check of the pit/tank has been completed to verify the absence of dangerous gases and the presence of safe levels of oxygen. Never enter a tank or pit without a safety harness and lifeline, and an air pack. Never enter the pit without rescue personnel standing by. Follow all national and local requirements for confined space entry.
- Keep all pit openings covered when not in use. In addition to the injuries from falling, pits may contain poisonous gases or liquids.
- The pump is to always be lifted using adequate crane and sling capacity. All applicable safe hoisting practices should be employed. When doing so, rig the load to prevent flipping. Do not use the motor lifting eyes to lift the assembled pump. Use the motor lifting eyes to lift the detached motor only. Cast-in lifting eyes are designed for lifting individual pump components or sub-assemblies, not the entire pump. Only base-mounted lifting eyes may be used to lift a pump and drive assembly.
- Do not allow people under the pump assembly while it is being lifted.
- Pump components can be heavy. Proper methods of lifting must be employed to avoid physical injury and/or equipment damage. Steel toed shoes should be worn at all times.
- Never operate a pump with closed or blocked discharge valves. This will destroy the pump and could be dangerous to personnel.
- Do not allow liquid to be trapped in pump or piping between two closed valves. Always drain or vent the piping/pump between two closed valves. Failure to vent or drain could allow dangerous pressures to build causing rupture damage resulting in injury, death, and equipment damage.

- Safety apparel to be worn when working on or making adjustments to pumps should include:
 - Heavy work gloves when handling parts with sharp edges, especially impellers.
 - Safety glasses (with side shields) for eye protection
 - Steel-toed shoes for foot protection when handling parts, heavy tools, etc.
 - Other personal protective equipment to protect against hazardous/toxic fluids and gases.
- Do not operate this equipment unless safety guards or devices are in place and properly adjusted.
- Let the pump cool to ambient temperature before beginning work on it. A warm pump can contain compartments of pressurized fluid, which may vent violently during disassembly.
- Never apply heat to remove parts unless specifically directed to do so in overhaul instructions. Use of heat may cause an explosion due to trapped fluid, resulting in severe physical injury and property damage.
- Pressure may build up in the standard mechanical seals used in Vaughan pumps. Whenever checking or maintaining the oil in the Vaughan Cartridge Seal, or the welded metal bellows seal with seal oil chamber, make sure the pump and seal are cool to the touch. Use care when removing the oil chamber plugs and pressure relief valve, in case any residual pressure exists. If pressure exists, the plug could become a projectile and/or contaminated oil could spray.
- As it is possible to run Vaughan Chopper and Screw pumps dry, for quality assurance or troubleshooting reasons, it is extremely important to ensure suction and discharge connections are always properly guarded to prevent anything (i.e. foreign objects or pump parts) from being thrown from the pump as a projectile. All pumps must be run with suction and discharge piping in place, or blind flanges installed on suction and discharge connections. Blind flanges should be vented to avoid pressure build-up. Note that cast rotating parts could break if metal to metal contact occurs while the pump is running dry.
- Shut pump off when adjusting fittings to avoid being sprayed with pumpage. Pumped materials may be hot, corrosive, poisonous, infectious, or otherwise dangerous to personnel.
- Pump motors are connected to high voltage. Allow only qualified electricians to service this electrical equipment only in accordance with the latest revision of the National Electrical Code and other applicable requirements.
- Make certain all personnel are clear of equipment before operating.
- This equipment may not meet explosion proof requirements for hazardous environments unless specifically ordered for this purpose. Introducing non-explosion proof equipment into a hazardous environment as defined by the National Electrical Code can cause a dangerous explosion.
- This pump uses oil which, if spilled, can cause a slipping hazard and danger to personnel.
- Keep hands, feet and clothing away from moving machinery.
- Never clean, oil, adjust, or repair machinery while in motion.
- Keep electrical control panel area clear to avoid to avoid hazard to personnel. If a person should trip and fall into an open panel enclosure, serious electrical burns can result.
- Keep electrical control panel doors closed except to make adjustments or repairs by a qualified electrician.
- Overheated pumps can cause severe burns and injury. If overheating of pump casing occurs:
 - 1) Shut down pump immediately.
 - 2) Wait for pump to cool to air temperature.
 - 3) Slowly and cautiously vent pump at drain plug.
 - 4) Trouble shoot cause of overheating.

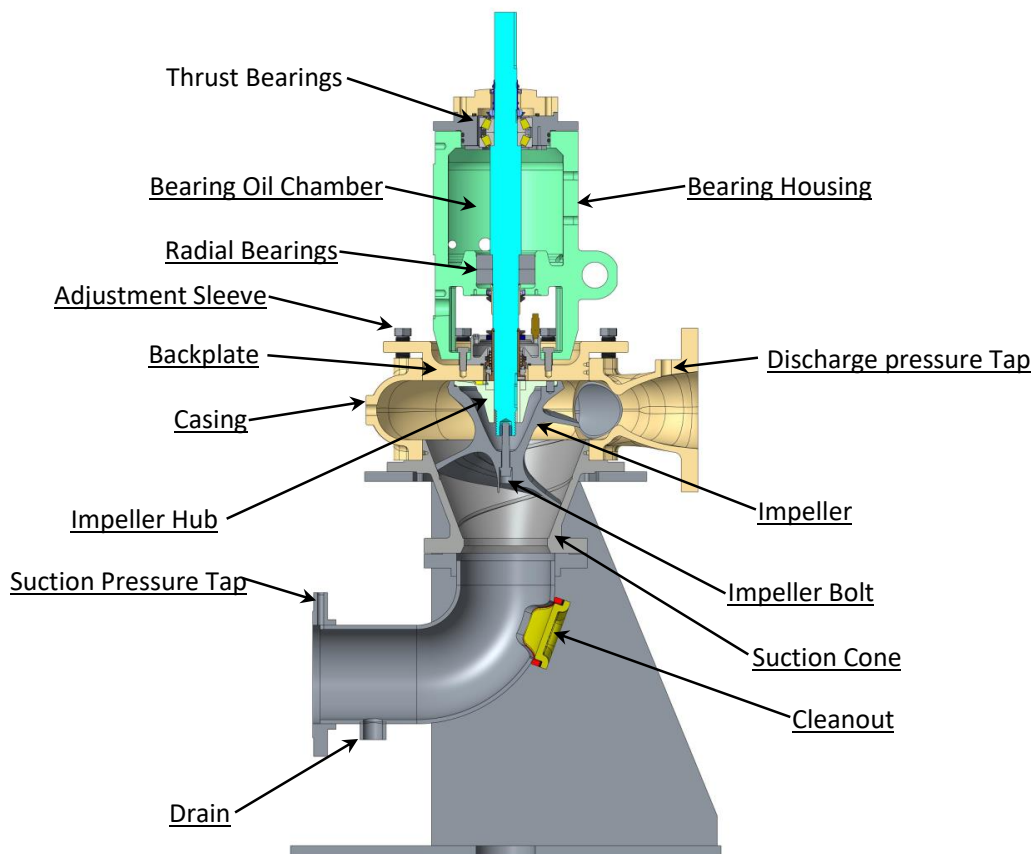
If there are any questions regarding the safe and proper methods for operating or servicing this pump, please contact Vaughan Company for assistance.

SECTION 2: DESCRIPTION OF THE VAUGHAN TRITON™ PEDESTAL SCREW-CENTRIFUGAL PUMP

The Vaughan Triton pedestal screw-centrifugal pump is specifically designed for pumping shear-sensitive liquid slurries with excellent hydraulic efficiency. Vaughan Triton pumps use a centrifugal-screw impeller design to gently accelerate and pump liquid and to pass a particular size particle or sphere through the pump without plugging. They are also designed to pump fibrous slurry without binding of close-running parts, a problem which causes motor overload and excessive wear.

The Triton Series screw-centrifugal pumps offer improvements over other screw-centrifugal pumps as listed below:

1. The impeller-to-inlet-cone clearance (which affects efficiency) can be adjusted externally without the use of shims or the need for pump disassembly.
2. For fibrous slurry pumping, the Triton pumps include a patented back cutter system designed to remove material from behind the impeller to stop binding and motor overload.



A. DESCRIPTION OF MAJOR COMPONENTS

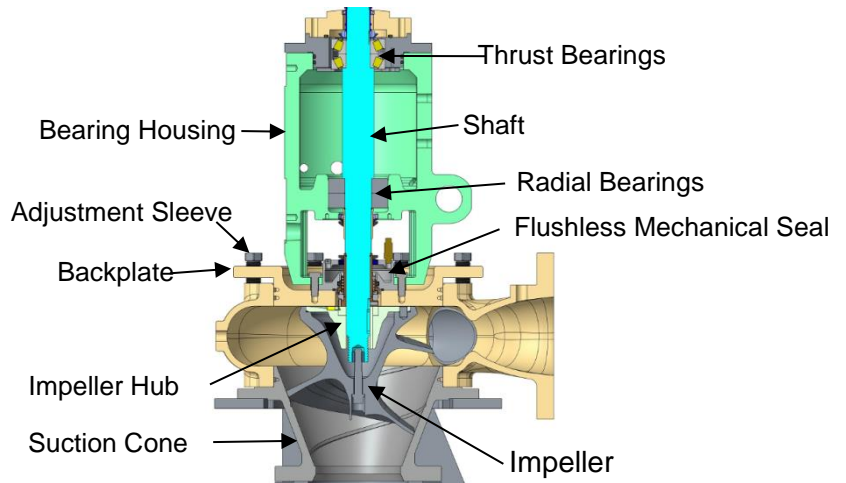
SCREW-CENTRIFUGAL IMPELLER: The impeller on the Vaughan Triton pump induces flow by propelling liquid material through the pump inlet cone and into the casing. The pumping action is a combination of positive displacement and centrifugal action. The OD of the impeller must be positioned very near to the ID of the inlet cone at the pump suction to achieve good pumping efficiency. The standard impeller is made of cast ductile iron

INLET CONE: The inlet cone serves the function of a “wear plate”, sealing in the pressure at the intake of the pump. The pressure generated by the impeller is kept inside the pump by the close clearances between this suction cone and the impeller. The inlet cone includes a cast-in spiral groove to channel fiber out of the cone and into the pump casing. This spiral groove stops binding from overloading the drive motor. The standard inlet suction cone is made of ductile cast iron.

MOTOR MOUNTING: Vaughan Dry Pit Pedestal pumps are usually directly driven by C-Face electric motors through a TB Woods Sure-Flex elastomeric coupling. The motors are rigidly mounted to the pump bearing housing by a machined and piloted motor stool. This piloted mounting ensures proper motor and pump shaft alignment without requiring special alignment of the motor and pump shafts at your plant. It is advisable to use flexible conduit to the motor so that the motor can be moved with the rotating assembly for adjustment or service to the wetted parts of the pump.

STANDARD FLUSHLESS MECHANICAL SEAL (VAUGHAN E-SERIES CARTRIDGE SEAL)

The Vaughan Triton Screw-Centrifugal pump is usually supplied with a Vaughan flushless, cartridge-type mechanical seal placed directly behind the impeller, shown at right. **This seal will not require any water flush to keep it clean.** The only maintenance required of the Vaughan Cartridge Seal is a yearly change of the oil. The oil change procedure is addressed in Section 8 of this manual. For 3”-6” pumps, use 2 oz. and for 8”-10” pumps, use 6 oz. of ISO 46 oil to refill. This will fill the seal approximately 1/3 full, which is correct.



VAUGHAN TANDEM MECHANICAL CARTRIDGE SEAL (OPTIONAL): The Vaughan pedestal screw pump can be supplied with a tandem mechanical seal. This seal will require a minimum 3 GPH flush of grey water or better. See the recommended seal flush installation diagram on page 7.

NOTICE

If it is ever necessary to remove the cartridge seal assembly from the pump you must first install the seal cartridge cap. This cap is a separate component used during installation which holds all of the seal components together. If you do not have this cartridge cap contact Vaughan Co.

CAUTION

Pressure may build up in the standard mechanical seals used Vaughan Pedestal pumps Whenever checking or maintaining the oil in the Vaughan Cartridge seal, or the welded metal bellows seal with seal oil chamber, make sure the pump and seal are cool to the touch and use care when removing the oil chamber plugs, in case any residual pressure exists. If pressure exists, plug could become a projectile and/or contaminated oil could spray.

Pressure may build up in the standard mechanical seals used Vaughan Pedestal pumps Whenever checking or maintaining the oil in the Vaughan Cartridge seal, or the welded metal bellows seal with seal oil chamber, make sure the pump and seal are cool to the touch and use care when removing the oil chamber plugs, in case any residual pressure exists. If pressure exists, plug could become a projectile and/or contaminated oil could spray.

MECHANICAL SEAL (Welded bellow type, NON-STANDARD): The Vaughan Triton Screw-Centrifugal pump may also be supplied with a welded bellows mechanical seal. For best seal life in sludge or abrasive slurries, always flush the seal chamber with 6-10 GPH of water from a seal flush system pressurized to at least 10 psi above the pump discharge pressure. A flow control device, such as a Rotameter, should always be used to throttle the flow to 6-10 GPH. (Too much flow and pressure can erode the insides of the stuffing box.) See the recommended seal flush installation diagram on page 8.

PACKING (NON-STANDARD): If your pump was ordered with packing, the packing is typically TFE impregnated graphite packing with reinforced Kevlar corners. The lantern ring is split for easy removal and made from glass-filled TFE. All packing components run on a 316 stainless steel shaft sleeve. Packing should always be water flushed with the flush line interlocked with the motor starter so that flush water begins when the motor starts. Supply 6-10 GPH flush water at a pressure of about 10 psi above pump discharge pressure. Your pump has shipped with the packing gland bolts finger tight for initial break-in period of the packing. The following steps are required for proper break-in.

1. Before flooding the suction or starting the pump, turn on the flush water. If the water is leaking excessively from the stuffing box it is OK to tighten the bolts on the packing gland. **Only tighten the bolts one flat at a time. Reduce flow only to the point where it is containable inside the packing housing drain.**
2. Flood the pump suction and start the pump.
3. Flush water will be freely leaking from the stuffing box. Tighten the bolts on the gland one flat at a time every five to ten minutes until **the leakage rate is between 17 and 30 drops per minute for 3"-6" pumps and 35 and 50 drops per minute for 8"-12" pumps.** Tightening the packing gland bolts by as little as a 1/4 turn can be enough to change the leakage rate when the assembly is close to the desired leak rate. This procedure could take a few hours.

The break in procedure is now complete. As your pump runs continue to monitor and adjust the packing gland as required to maintain proper leakage.

B. PROPER APPLICATIONS FOR VAUGHAN TRITON PUMPS:

Vaughan Triton Pumps are used for pumping liquid slurries or water contaminated with debris. These pumps are also useful for pumping shear-sensitive slurries which must be handled gently by the pump. The benefit of screw-centrifugal pumps is that debris laden slurries, contaminated water, or shear-sensitive slurries may be pumped with less power than with other types of non-clog pumps. Vaughan Triton pumps are routinely used to pump the following slurries:

1. Flume and wash water in food processing plants.
2. Sewage and sewage sludges.
3. Vegetable waste.
4. Mill scale.
5. Oil sludges in oil refineries.
6. Plastic debris.
7. Coal slurry.

System design is very important in making any pump work successfully in debris-laden slurries. There must be enough liquid so that liquid and material are able to flow freely to the pump. The piping must be properly designed to be large enough to reduce friction losses, yet small enough to ensure sufficient velocity to keep particles suspended.

C. USES OF VAUGHAN TRITON PUMPS THAT MAY CAUSE TROUBLE:

If the system is not designed correctly for proper handling of your material, or if the pump is incorrectly chosen for your system, the pump may not work to your satisfaction or the pump may experience early failures of seals, bearings, or wet-end components due to cavitation and the resulting vibration. Vibration will damage mechanical seals and bearings fairly quickly.

Common rules of thumb include:

1. Screw-centrifugal pumps must not ever be operated with closed suction and discharge valves. This will destroy the pump and may be dangerous to personnel.
2. A pump must be operated in the safe portion of its pump performance curve. Operation in the dashed lines indicates vibration areas and must be avoided.
3. Operating a Triton screw pump against a throttled discharge valve or against high head will damage the pump.
4. Never control flow by throttling a pump suction valve.
5. When pumping liquid containing debris that floats or settles in a pit, mixing with the pump may be required before pit pumpout. This can be done by initially directing the discharge back into the pit using a 3-way valve system available from Vaughan Co.

6. A slurry that is too hot cannot be pumped from an open pit. A reasonable limit at 1170 RPM is about 180° F, at 1750 RPM it's about 160° F.
7. A reliable and properly sized electrical supply must be installed for the pump to work properly. If there is too much voltage drop because of an undersized cable or transformer, the motor will not be able to provide full power to the pump and it may stall during operation.

D. EXPECTED BENEFITS OF VAUGHAN TRITON PUMPS

Most customers who install a Vaughan Triton pump see several advantages:

1. Minimal pump attention is required.
2. Excellent pumping efficiency, meaning that the same job can be done as with other pumps, but using less power.
3. Gentle pumping of shear sensitive slurries.
4. Long and reliable life.
5. Ease of maintenance with external adjustment of critical clearances.

SECTION 3: INSTALLATION INSTRUCTIONS

A. RECEIPT INSPECTION:

Prior to shipment Vaughan pumps are carefully crated and inspected to ensure arrival at your plant in good condition. On receiving your pump, examine it carefully to assure that no damaged or broken parts have resulted from mishandling during shipping. Turn the pump shaft by hand and verify that it turns over smoothly. If the shaft binds, look for debris (or paint) between impeller and suction cone. Otherwise, shaft binding could indicate damage. If damage has occurred, report to your carrier immediately, and consult your local Vaughan representative.

B. STORAGE CONSIDERATIONS

If equipment is to be stored for longer than two weeks, take the following action:

1. Coat exposed steel with a light layer of grease to protect the equipment from corrosion.
2. Rotate the motor 1-1/4 turn once each week to keep the bearings from sitting in one position for extended periods of time.
3. Avoid storing rotating equipment near other vibrating equipment. The vibrations can cause damage to the bearings and cause premature failure once the equipment is started up.
4. Store rotating equipment in a clean, dry, heated area away from areas where it could be damaged from impact, smoke, dirt, vibration, corrosive fumes or liquids, or from condensation inside the motor or pump. It is helpful to cover equipment with plastic.

C. PUMP MOUNTING

Vaughan pumps are heavy and will require a crane to lift into position. Lifting the pump by wrapping 2 slings around the motor stool, each sling lifted from 180° opposite the other, is a safe way to lift the pump and motor assembly. This method lifts the pump from above the bearing housing and below the motor mounting flange.

NOTICE

Do not lift by the motor eye or the bearing housing eye, as neither is strong enough to carry the weight of the entire pump and motor assembly.

⚠WARNING

The pump is to always be lifted using adequate crane and sling capacity. All applicable safe hoisting practices should be employed. When doing so, rig the load to prevent flipping. Do not use the motor lifting eye to lift the assembled pump. Use the motor lifting eye to lift the detached motor only. Cast-in lifting eyes are designed for lifting individual pump components or sub-assemblies, not the entire pump. Only base-mounted lifting eyes may be used to lift a pump and drive assembly. Do not allow people under Vaughan equipment during hoisting operations. Consult the Vaughan Co. shipping department for weight of your equipment if you are in doubt.

Anchors

Vaughan pumps should be securely bolted to a level, flat floor or slab with stainless steel anchors to minimize operational vibrations. Expansion-type, cast-in place J-bolts, bolts mounted in sleeves, and epoxy anchoring systems are all acceptable anchoring means.

Leveling the Base

Vaughan Co. assembles and aligns the completed pump and motor assembly on a level surface at the factory and runs the pump at speed to measure dry-run vibration levels and to ensure that no metal-to-metal contact occurs. If the base is not mounted to a level, flat surface in your installation, twisting of the base and pump could occur that can cause metal-to-metal hitting of the cutting parts during operation. Careful shimming is required to properly align the suction piping to the pump and to ensure that the pump base is level (not twisted) and properly aligned to the suction piping. As the pump is shimmed, turn the pump shaft over by hand to ensure that no metal-to-metal contact is occurring. If metal-to-metal contact is discovered during pump startup and actual pumping, additional shimming may be required to take additional twist out of the base and pump. Do not completely tighten the anchors until grouting is completed and is properly hardened. Note that this pump is expected to be mounted vertically with oil level filled to above the upper bearings.

Grouting

Vertical pedestal screw pumps may be grouted in place, though it is not required. Standard vertical pedestal baseplates do not include grout holes but can be supplied this way if ordered. If your pump is built with a box style baseplate at least one grout hole will be included depending on size. The purpose of grouting is to prevent shifting of the baseplate, to reduce vibrations (by increasing mass), and to fill in irregularities in the foundation. Fully tighten the anchors only after the grout is completely hardened. Shims used for leveling and alignment may be left in place.

D. PIPING

Be sure that the weight of piping connected to the pump suction and discharge flanges is properly supported. Do not expect the pump to support your piping system, as this may cause large stresses on the pump and may cause metal-to-metal interference problems during actual pump operation due to distortion of the pump or base. These stresses can result in a broken or cracked casing or premature bearing and seal failures, as well. Before bolting up piping to the pump, make sure that flanges are closely aligned.

NOTICE Never use force to draw piping to pump flange. Excess forces on the pump will reduce seal and bearing life. Be sure all piping connections are tightened and properly supported before operation.

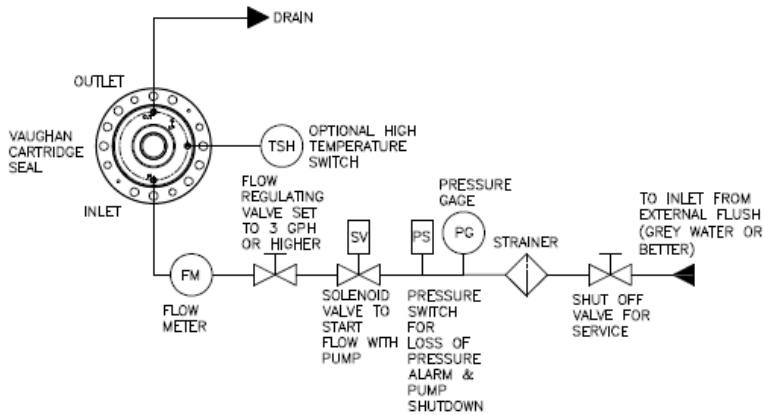
Great care should be taken with suction piping to avoid restricting flow to the pump. Avoid bends and fittings and keep suction piping as short as possible and as large as possible. *Suction piping must be as large as or larger than the pump suction flange.* Long and restrictive runs of suction piping can contribute to gas binding problems, especially in scum and sludge transfer applications. *Never install a check valve in the suction piping.*

Remember that sludges have significantly higher friction losses than water, so larger diameter piping is always helpful when pumping this material. Maintaining suction velocity below 8 feet per second is helpful. If you are pumping uphill or into a force main, or if there is more than one pump pumping into a common header, a check valve and an isolation valve will be required on the discharge of the pump. Note that Vaughan pumps have pressure taps on or near the suction and discharge flanges for installation of pressure gauges for testing purposes, particularly important at pump startup. See Vaughan Recommended Piping Practices, Form V435 for additional information.

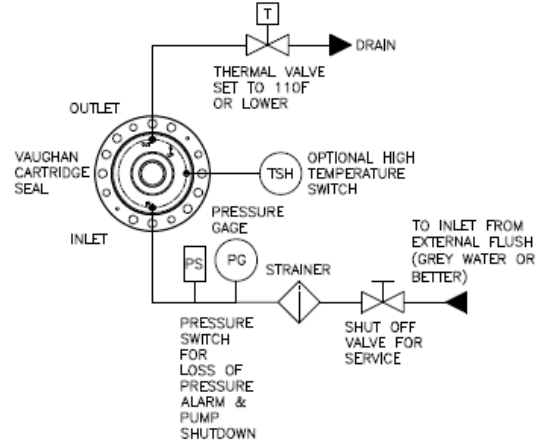
E. SEAL FLUSHING (VAUGHAN TANDEM MECHANICAL SEAL)

The Vaughan tandem cartridge seal will require minimum 3 GPH flush flow of grey water or better. Seal ports are 1/4" NPT and on pedestal pumps it does not matter which is used for inlet or outlet. The schematic on the following page illustrates how Vaughan intends the flush system to operate.

RECOMMENDED:
QUENCH & DRAIN

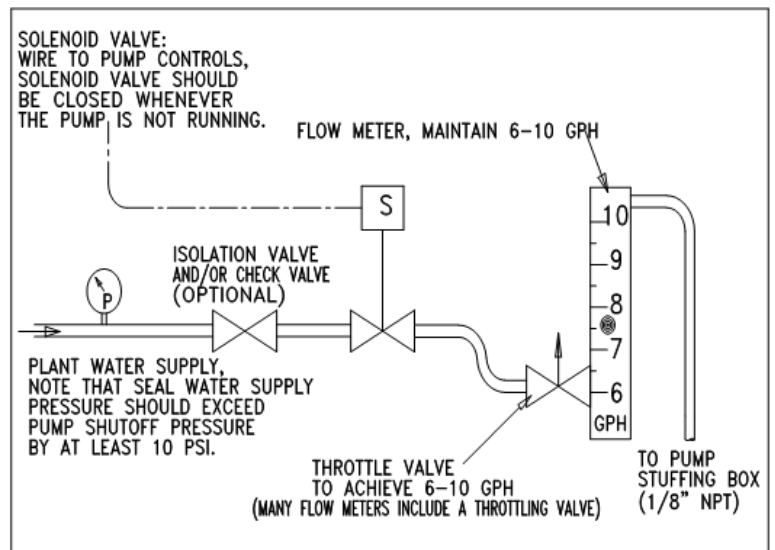


OPTIONAL:
QUENCH & DRAIN
WITH THERMAL VALVE



SEAL FLUSHING (FOR OPTIONAL METAL BELLOWS SEALS)

The standard mechanical seal used in Vaughan pumps since 2003 is the Vaughan flushless cartridge seal, designated "CS" in the pump model. This seal requires no external flush and is cooled and lubricated by the oil chamber that is part of the seal assembly. Other mechanical seals may be installed in your pump if it was specified this way. Seals other than the Vaughan flushless seal must be flushed with at least 6-10 gallons per hour of clean water. There is a 1/8" NPT fitting on the stuffing box for this purpose. The seal water must be supplied at a pressure at least 10 PSI above the pump discharge pressure, and regulated with a flow meter to the proper flow of 6-10 GPH. A solenoid valve must be installed to switch the water on and off with the pump motor. A schematic of this system is shown at right.



F. MOTORS AND CONTROLS

Most motors provided on Vaughan pumps are TEFC C-Face and are not designed for hazardous environments or rated as explosion proof. However, some applications require explosion-proof motors. If your pump is located in a hazardous location, be sure you ordered and received your pump with an explosion-proof motor and that you use an electrician experienced in hazardous environment wiring and controls.

Vaughan Screw Centrifugal pumps require motor protection with correctly sized breakers, starters, and overload protection. Carefully chosen overload protection for your expensive motor is critical to avoid motor burnout. High current trip settings for Starters and VFD's should be set at 110% of motor nameplate full load current to prevent current spikes from tripping out those devices.

Note, when slowing a motor down below nameplate speed with a VFD it is very important to remember that available horsepower drops in direct proportion to speed reduction, so a 100 HP motor running at 30 Hz can only make 50 HP max at 30 Hz. When speeding a motor up above nameplate speed, available horsepower = nameplate horsepower.

Minimum allowable speed for Rotamix applications is 75% of base speed. Minimum allowable speed for other applications is dependent on system curve, and is the speed required to maintain minimum allowable flow per our published curves. Consult Vaughan Co. for assistance if needed.

As discussed earlier, it is a good idea to run flexible conduit to the motor to facilitate the back pullout advantages of this pump.

G. OIL BATH BEARING SYSTEM

Vaughan Chopper pumps have oil-bath bearing lubrication. The oil level is correct when oil is filled to the approximate center of the oil reservoir. This level assures that the entire housing is full of oil with both bearings covered.

Vaughan Co. uses Chevron Rando HD-46 which is ISO 46 hydraulic oil. The following oils have the viscosity and rust inhibiting additives to make them excellent alternates for the Rando HD 46: Shell Turbo 46, Texaco Regal 46, Mobil DTE 846, and Exxon Teressic 46. Most ISO 46 hydraulic oils and ISO 46 turbine oils should be compatible with Rando HD 46 supplied in our pumps.

SECTION 4: PUMP STARTUP INSTRUCTIONS

NOTICE

Review safety information in Section 1 of this manual before proceeding.

All directly-driven Vaughan pumps using C-Flange electric motors are designed and built for automatic alignment of motor and pump shafts during assembly.

1. Perform a pump rotation check to ensure Clockwise rotation (as viewed from the motor end) before startup. At the control panel, hit the "ON" button, then the "OFF" button as fast as possible to "jog" the motor at a slow rate. If the motor turns clockwise, you are ready to start the pump. If the motor turns counterclockwise, (wrong direction), then following your plants established lockout/tagout procedures open the circuit breakers to the motor panel, and reverse any two leads on the motor starter in the control panel. Close the breakers to the panel and recheck the motor direction to be sure it's correct.

NOTICE

If the pump is allowed to run backwards for any significant length of time, the impeller can loosen, and eventually damage the pump.

2. Review the start-up and certification checklist in this manual, open suction and discharge isolation valves, confirm suction is flooded, and start the pump.

CAUTION

Never operate a pump with closed or blocked discharge valves. This will destroy the pump and could be dangerous to personnel.

3. The startup instructions are incorporated into the Startup And Certification Checklist. When the Startup And Certification Checklist is completed please send a copy of the completed checklist to Vaughan Co. Engineering. We will verify that the pump and system are properly matched to protect your investment and our reputation.

NOTICE

Pump speeds and operating conditions must fall within the acceptable limits of the performance curve of the pump. Do not operate in the dashed portions of the curve.



Date: _____

Project Name: _____ Location: _____

Pump S/N: _____ Equipment ID/Tag#: _____

Startup Performed By: _____

Customer Contact Info _____

Contractor Contact Info _____

Engineer Contact Info _____

PEDESTAL SCREW CENTRIFUGAL PUMP STARTUP AND CERTIFICATION CHECKLIST

- Are both suction and discharge valves open? Yes _____ No _____
- Pump shaft turns freely by hand? Yes _____ No _____
- All guards are in place? Yes _____ No _____
- Pump is turning CW as viewed from the motor end? Yes _____ No _____
- Is the oil level in the middle range of the reservoir? Yes _____ No _____
- Is the pump casing vented and filled with liquid? Yes _____ No _____
- All piping attached to pump is being independently supported? (not by the pump) Yes _____ No _____
- All piping joints are leaktight? Yes _____ No _____
- Flexible joint is connected to pump discharge? Yes _____ No _____
- If yes, is piping anchored between expansion joint and pump discharge, per H.I. Standards? Yes _____ No _____
- Construction debris in sump or piping? Yes _____ No _____
- Does inflow splash down into sump? Yes _____ No _____

ELECTRICAL DATA

Motor Mfr: _____ HP: _____ RPM: _____

Nameplate Voltage: _____ Nameplate F.L. Amperage: _____

Operating Voltage: L1 – L2: _____ L2 – L3: _____ L1 – L3: _____

Operating Amperage: L1: _____ L2: _____ L3: _____

SYSTEM DATA

What type of material are you pumping? _____

Temperature (°F): _____ Specific Gravity: _____ %Solids: _____

Describe your piping system: Total equivalent length of pipe (feet): _____

Pipe Size (mm): _____ Elevation change from water level to discharge point (feet) _____

Estimated Total Head (feet): _____ Design Flow (GPM): _____

PUMP OPERATING DATA

Pump Model: _____

Discharge Pressure (fill in psi): **Pump Off:** _____ **Pump On:** _____

Dim "Z1" (distance from liquid level to pressure gauge-feet): _____

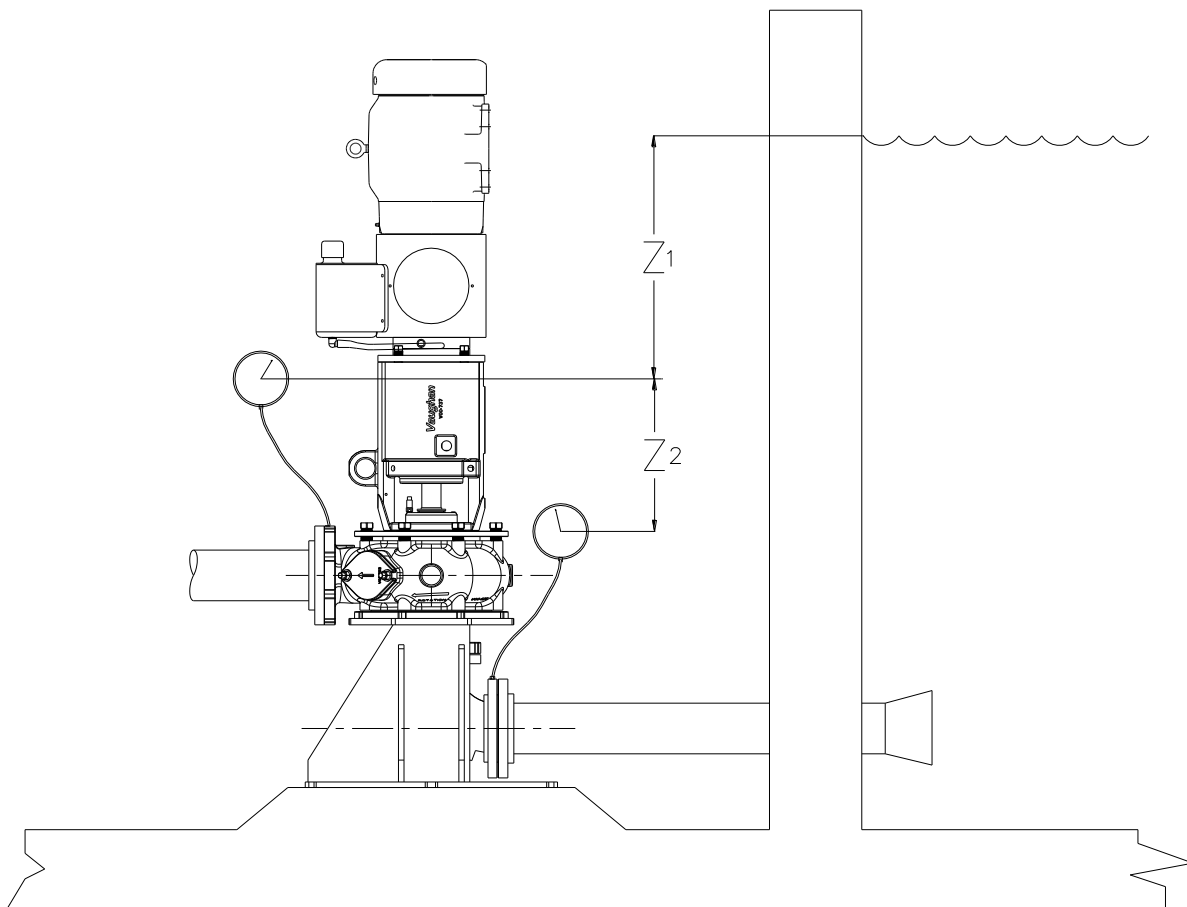
Suction Pressure(fill in psi or in. Hg in negative): **Pump Off:** _____ **Pump On:** _____

Dim "Z2" (vertical distance between gauges-feet): _____

Observed Flow (GPM): _____

Is pump running quietly? _____ Noisily? _____ Very Noisily? _____

NOTE: If pump is not running quietly, please contact us immediately for help. Severe vibration can damage the pump very quickly.



SECTION 5: NORMAL OPERATION

A. NOISE

Vaughan Triton screw-centrifugal pumps typically operate at speeds from 500 RPM to 1750 RPM. At these speeds, the pump is normally quiet running, and the major source of noise is the electric motor. (Higher horsepower, higher head pumps, of course, are noisier.) Sometimes at startup a sump may be full of debris, and the pump will be fairly noisy as debris passes through the pump. This noise should dissipate as the debris is broken up and/or pumped out.

Note that 3510 RPM pumps will be somewhat noisier. At this speed, the normal operating noise will be fairly high (85-90 dBA). Much of this noise will be from the motor fan, but there will be some hydraulic noise. Pay particular attention to the pump casing noise on all pumps. If there are any crackling noises coming from the pump casing, (as if pumping marbles) this could be evidence of cavitation. If these noises exist, please call Vaughan Company immediately to discuss. Cavitation can damage a pump in a very short time period.

A. VIBRATION

Vibration, like noise, should be minimal in the pump unless the pump is passing a great deal of debris through it. If vibration and noise is present, this may be an indication that the pump is operating at low flow, high-head conditions, which is always bad for a screw-centrifugal pump. If the pump is operating too close to zero flow (or shutoff head) the rotating impeller may be contacting the ID of the suction cone. This is a sign of trouble – contact Vaughan Co. immediately for advice. Be sure you have measured the suction and discharge head across the pump and have your serial number available.

Please note that every effort has been made at the factory to ensure that these pumps operate smoothly and within Hydraulic Institute Standard vibration limits. All impellers are dynamically balanced after machining and heat treat to the ISO 1940/1 G6.3 balance standard. The pump shaft is fully machined to be straight and is tightly held by bearings so that there is virtually no shaft movement. Your pump should not exhibit any significant vibration or noise in normal operation. If you feel that the pump is noisy or vibrating more than it should, please call Vaughan Company immediately to discuss. Excessive vibration and/or noise may be indicative of system mismatch or other problem that could severely shorten the life of your pump.

SECTION 6: SHUTDOWN INSTRUCTIONS

A. MANUAL SHUTDOWN

In the manual mode of operation, a Vaughan pump is shut down by pushing the “off” button or turning the auto/man/off switch to the “off” position on the front of your control panel. If any repair or maintenance work is to be done on the pump, be sure to follow all the warnings at the front of this manual.

B. AUTOMATIC SHUTDOWN

Automatic operation will normally shut the pump down, usually on low pit level. If the pump does not shut down when the pit is empty, the pump may be shut down manually, but you should troubleshoot your level control system to find out why the automatic operation is not working properly. Continued operation of the pump during “snoring” will damage the pump. “Snoring” is a condition where the pump is operating while alternately drawing water and air. The differing loads on the impeller shaft cause high stresses and vibrations that can quickly result in damage.

If you are going to do any maintenance, adjustment, or inspection on this pump or motor, be sure to follow all warnings at the beginning of this manual. Be sure to turn off electrical power by opening the main panel breaker and by following all plant safety procedures, since in the automatic mode, the pump could start automatically if not isolated.

C. EMERGENCY SHUTDOWN

In any kind of emergency when the pump needs to be shut down, operate the manual off switch or push button on the front of the pump control panel. If any work has to be done on the pump or motor, open the main breaker on the pump control panel so that the pump cannot automatically restart when personnel are near the pump or motor. Be sure to lock out the breaker to avoid accidental energization of the pump.

SECTION 7: MAINTENANCE

⚠ WARNING

Isolate the pump mechanically and electrically before servicing or inspecting. Lock out both power source and isolation valves. Never clean, oil, adjust, or repair machinery while in motion.

A. ROUTINE MAINTENANCE

MONTHLY:

1. Check amperage draw to the pump motor and compare to amperage measured at startup. Make sure that amp draw does not exceed allowable amperage to the motor at full load.
2. Check for seal or packing leakage at the stuffing box area.
 - a. **Vaughan Cartridge Seal:** If leakage is observed at the pressure relief valve change oil as described on page 15 of this manual.
 - b. **Metal Bellows Seal:** If seal leakage is evident, the seal faces can be cleaned (metal bellows seals only). Isolate the pump mechanically and electrically, (See all warnings at front of manual!) drain intake manifold, remove the 2 bolts on the seal gland, and pull the gland back on the shaft to clean the seal faces. Use isopropyl alcohol for the cleaner. If cleaning the seal faces does not stop severe leakage, consult the Vaughan Overhaul Manual for instructions on how to replace the mechanical seal.
 - c. **Packing:** Adjust packing leakage as directed on page 4 of this manual.

QUARTERLY:

1. Inspect electric motor. Make sure that motor drain is not plugged with debris. Clean cooling fins so that dirt buildup will not affect cooling ability of motor. Check for loose or corroded hardware and damaged wiring or conduit.
2. Inspect pump for loose hardware. Make sure that pump is operating smoothly without vibration or cavitation.
3. Check oil level in pump bearing housing and check for oil contamination.
4. Grease motor bearings with bearing grease as specified by the manufacturer
5. Perform monthly inspection as shown above.

ANNUALLY:

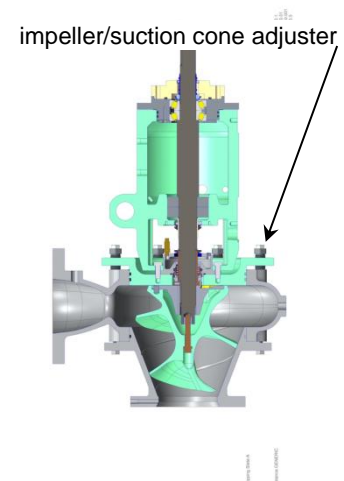
1. Check the clearance between the impeller and inlet cone

Isolate the pump electrically (open breakers) to make sure that the motor can't start accidentally and adjust the clearance between impeller and inlet cone.

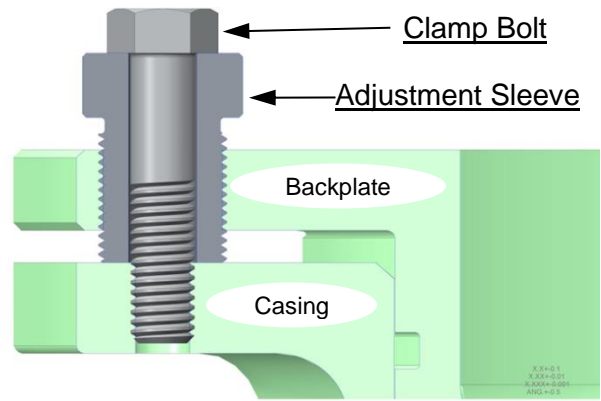
The clearance can be adjusted externally by modifying the position of the rotating assembly. The entire rotating assembly, including the impeller, backplate, bearing housing and motor, moves in and out of the casing to adjust the impeller-to-suction cone gap.

Adjustment is achieved with adjustment sleeves, which are used to set the gap, and clamp bolts, which pass through the sleeve and hold everything together.

There are two sets of external adjusters: one set for the impeller/suction cone gap (located on the casing backplate) and one for the impeller hub/backplate gap (located on the thrust bearing cartridge). If you are performing routine maintenance, it is usually not necessary or recommended to adjust the clearance between the impeller hub and backplate.



Note: Depending on the pump model, one full turn of the adjuster is equal to 0.063" - 0.072". Turning the adjuster one "flat" or one "point" is equal to about 0.010" - 0.012". In the screw pumps this changes the impeller to cone gap by about .004".



Impeller to suction cone adjustment:

- a. Remove a motor stool cover and rotate the coupling by hand. Feel for bearing roughness or internal contact. If the bearings are rough, it does not make sense to adjust the clearance because the pump will need to be overhauled.
 - b. Loosen and back off each of the clamp bolts on the casing backplate, ensuring that the adjusting sleeves do not move with the bolts. Choose three approximately equally spaced adjustment sleeves that you will use to perform the adjustments. Back all the other adjusting sleeves away from the casing by turning them counter clockwise.
 - c. Before dialing in the impeller-to-suction cone clearance, it's important to verify that the impeller and suction cone are parallel to each other. You can check this by using a piece of key stock or other shim material that is larger than the gap currently present between the backplate and casing flanges. This will generally be somewhere around 3/8". Use the key stock to ensure that the gap is exactly equal at each of your three chosen adjustment sleeves *with the clamp bolts tight*. Once you are confident that the gap is even and the impeller and suction cone are parallel, you can begin the adjustment procedure. Before you begin to make adjustments, witness mark the three adjustment sleeves to help you confirm all of the sleeves are being rotated evenly, and the impeller stays parallel to the suction bar.
 - d. Decrease the impeller-to-suction cone gap by rotating each of the three equally spaced adjustment sleeves counter clockwise by an equal amount, tightening the clamp bolts, and then checking for contact by rotating the shaft. You may need to repeat this step a couple of times if the pump has some wear on it. Close up the gap evenly until light contact occurs between impeller and suction cone.
 - e. When you have the impeller and suction cone lightly touching, unclamp the adjustment sleeves once again, carefully rotate them six flats clockwise, and retighten the camp bolts. This will yield an impeller-to-suction cone clearance of about .015" to .025".
 - f. Snug the unused adjustment sleeves against the casing. Make sure that the adjustment sleeves bottom on the casing, and are not tightening on anything that will crush when the clamp bolts are tightened. Lock all the adjusters down with the clamping bolts. After all bolts have been securely tightened, check for smooth shaft rotation by rotating the pump shaft again by hand. If the proper clearance cannot be achieved, or if other damage requires it, the impeller may need to be replaced. If this becomes necessary, refer to the overhaul manual for the proper procedures for this operation.
2. Check oil in the Vaughan cartridge seal.

CAUTION

Pressure may build up in the mechanical seals used in Vaughan pumps. Whenever checking or maintaining the oil in the Vaughan cartridge seal, or the welded metal bellows seal with seal oil chamber, make sure the pump and seal are cool to the touch. Use care when removing the oil chamber plugs, in case any residual pressure exists. If pressure exists, the plug could become a projectile and/or contaminated oil could spray.

WARNING

Isolate the pump mechanically and electrically before servicing or inspecting the pump. Lock out both power source and isolation

Remove a motor stool cover. Simply drain and refill using a syringe and tubing, with one plug removed as vent. Use 4 oz. of ISO 46 hydraulic oil to refill for 3"-6" pumps and 15 oz. for 8"-16" pumps. This will fill the seal approx. 3/4 full. Reinstall motor stool cover before starting pump.



B. CORRECTIVE MAINTENANCE

The Overhaul Instructions for Vaughan Triton Pumps are listed in a separate manual. Please do not try to overhaul or repair the pump without the overhaul manual and exploded parts assembly breakdown. The overhaul manual was sent with your pump from the factory, but if you do not have a copy of this manual, please call Vaughan Co. Engineering and we will make sure you get proper instructions. A repair video is also available at nominal cost.

SECTION 8: TROUBLESHOOTING

The Vaughan Triton Pedestal pump is more susceptible to system problems than Vaughan Wet-Well or Submersible pumps because piping is attached to the pump suction. Piping problems can cause "starving" of the pump before material has a chance to get into the pump. While Vaughan's design has obvious advantages over other types of pedestal screw pumps, problems still can occur.

Following is a troubleshooting chart that will help you get some idea of what problems could be causing your symptoms. If you would like troubleshooting help, please call Vaughan Co. We'll be glad to offer assistance.

SYMPTOM

POSSIBLE PROBLEM		Low Discharge Pressure	Loss of Prime	Excessive Power Required	Excessive Stuffing Box Leakage	Short Packing or Seal Life	Abnormally High Vibration	Short Bearing Life	Pump Casing Overheating	High Brg Temp	Low Flow
SUCTION PROBLEMS	Air Pockets in Suction Line		✓	✓		✓	✓	✓			
	Pump Not Primed	✓	✓								✓
	Insufficient NPSH	✓	✓			✓	✓	✓			✓
	Suction Line Air Leaks		✓				✓				✓
	Packing Air Leaks		✓								✓
	Vortexing in Pit at Inlet	✓	✓			✓	✓				✓
	Intake Openings Plugged	✓	✓			✓	✓		✓		✓
SYSTEM PROBLEMS	Pump Speed Too High		✓	✓		✓	✓	✓			
	Pump Speed Too Low	✓					✓				✓
	Pump Rotation Incorrect	✓	✓	✓		✓	✓				✓
	System Head Too High					✓	✓	✓	✓		✓
	System Head Too Low	✓	✓	✓		✓	✓	✓			
	Specific Gravity Higher than Expected			✓							
	Viscosity Higher than Expected	✓		✓							✓
	Operation at Low Capacity					✓	✓	✓	✓		
	Improper Parallel Operation of Pumps	✓				✓	✓		✓		✓
	Improper Series Operation of Pumps						✓				
MECHANICAL PROBLEMS	Pump Discharge Blocked					✓	✓	✓	✓	✓	✓
	Foundation not Rigid					✓	✓	✓			
	Worn Bearings			✓	✓	✓	✓			✓	
	Bent Shaft				✓	✓	✓	✓			
	Rotating Mbr Contacts Stationary Mbr			✓		✓	✓	✓	✓		
	Inlet Cone or Impeller Worn	✓	✓	✓			✓				✓
	Impeller Damaged	✓	✓	✓		✓	✓				✓
	Shaft Running Off Center				✓	✓	✓	✓	✓	✓	
	Loss of Fresh Water to Stuffing Box		✓		✓				✓		
	Lack of Lubrication			✓			✓	✓		✓	
	Improper Repair/Installation of Bushings			✓		✓	✓	✓		✓	
	Dirt in Bearings					✓		✓		✓	
	Shaft Sleeve Worn or Scored		✓			✓	✓				
	Packing Improperly Installed		✓			✓					
	Improper Packing Material for Application					✓					
	Packing Gland Too Tight			✓		✓			✓		
Dirt or Grit in Sealing Fluid				✓	✓						

VAUGHAN CO., INC. PRODUCT WARRANTY

Vaughan Company, Inc. (Vaughan Co.) warrants to the original purchaser/end user (Purchaser) all pumps and pump parts manufactured by Vaughan Co. to be free from defects in workmanship or material for a period of one (1) year from date of startup or eighteen (18) months from the date of shipment from Vaughan Co., whichever occurs sooner. Startup data must be submitted to Vaughan Co. within 30 days of startup. If Purchaser fails to submit startup data within 30 days of startup, then Vaughan, in its sole discretion, may elect to void this warranty at any time. Purchaser must contact Vaughan Co. prior to commencing any repair attempts, or removing pump or parts from service. If Purchaser fails to contact Vaughan Co. prior to commencing any repair attempts or removing pumps or parts from service, then Vaughan, in its sole discretion, may elect to void this warranty at any time.

If during said warranty period, any pump or pump parts manufactured by Vaughan Co. prove to be defective in workmanship or material under normal use and service, and if such pump or pump parts are returned to Vaughan Co.'s factory at Montesano, WA, or to a Vaughan authorized Service Facility, as directed by Vaughan Co., transportation charges prepaid, and if the pump or pump parts are found to be defective in workmanship or material, they will be replaced or repaired by Vaughan Co. free of charge. Products repaired or replaced from the Vaughan Co. factory or a Vaughan authorized Service Facility under this warranty will be returned freight prepaid. Vaughan Co. shall not be responsible for the cost of pump or part removal and/or re-installation.

All warranty claims must be submitted in writing to Vaughan Co. not later than thirty (30) days after warranty breach occurrence. The original warranty length shall not be extended with respect to pumps or parts repaired or replaced by Vaughan Co. under this Warranty. This Warranty is voided as to pumps or parts repaired/replaced by other than Vaughan Co. or its duly authorized representatives.

Vaughan Co. shall not be liable for consequential damages of any kind, including, but not limited to, claims for property damage, personal injury, attorneys' fees, lost profits, loss of use, liability of Purchaser to customers, loss of goodwill, interest on money withheld by customers, damages related to third party claims, travel expenses, rented equipment, third party contractor's fees, or unauthorized repair service or parts. The Purchaser, by acceptance of delivery, assumes all liability for the consequences of the use or misuse of Vaughan Co. products by the Purchaser, its employees or others.

Equipment and accessories purchased by Vaughan Co. from outside sources which are incorporated into any Vaughan pump or any pump part are warranted only to the extent of and by the original manufacturer's warranty or guarantee, if any, which warranty, if appropriate, will be assigned by Vaughan Co. to the Purchaser. It is Purchaser's responsibility to consult the applicable product documentation for specific warranty information. Specific product documentation is available upon request. Any warranty shall be void if the total contract amount is not paid in full.

Vaughan Co. neither assumes, nor authorizes any person or company to assume for it, any other obligation in connection with the sale of its equipment with the exception of a valid Vaughan "Performance Guarantee" or "Extended Warranty," if applicable. Any other enlargement or modification of this warranty by a representative or other selling agent shall not be legally binding on Vaughan Co.

Warranty eligibility determination is at Vaughan Co.'s sole discretion.

Warranty Limitations:

This warranty shall not apply to any pump or pump part which has been subjected to or been damaged by any of the following non-exclusive list of causes:

- Misuse
- Abuse
- Accident
- Negligence
- Operated in the dashed portion of the published pump curves
- Used in a manner contrary to Vaughan's printed instructions
- Defective power supply
- Improper electrical protection
- Faulty installation, maintenance, or repair
- Wear caused by pumping abrasive or corrosive fluids or by cavitation
- Dissatisfaction due to buyer's remorse
- Damages incurred during transportation
- Damages incurred during installation or maintenance

THIS IS VAUGHAN CO.'S SOLE WARRANTY AND IS IN LIEU OF ALL OTHER WARRANTIES, EXPRESSED OR IMPLIED, WHICH ARE HEREBY EXCLUDED INCLUDING IN PARTICULAR ALL WARRANTIES OF MERCHANTABILITY OR FITNESS FOR A PARTICULAR PURPOSE.